

Subsea Axial Check Valve

Maintenance free, fast acting non slam protection

Type designation

Subsea check or non-return valve

Model

TKZ-Y

Size and pressure rating

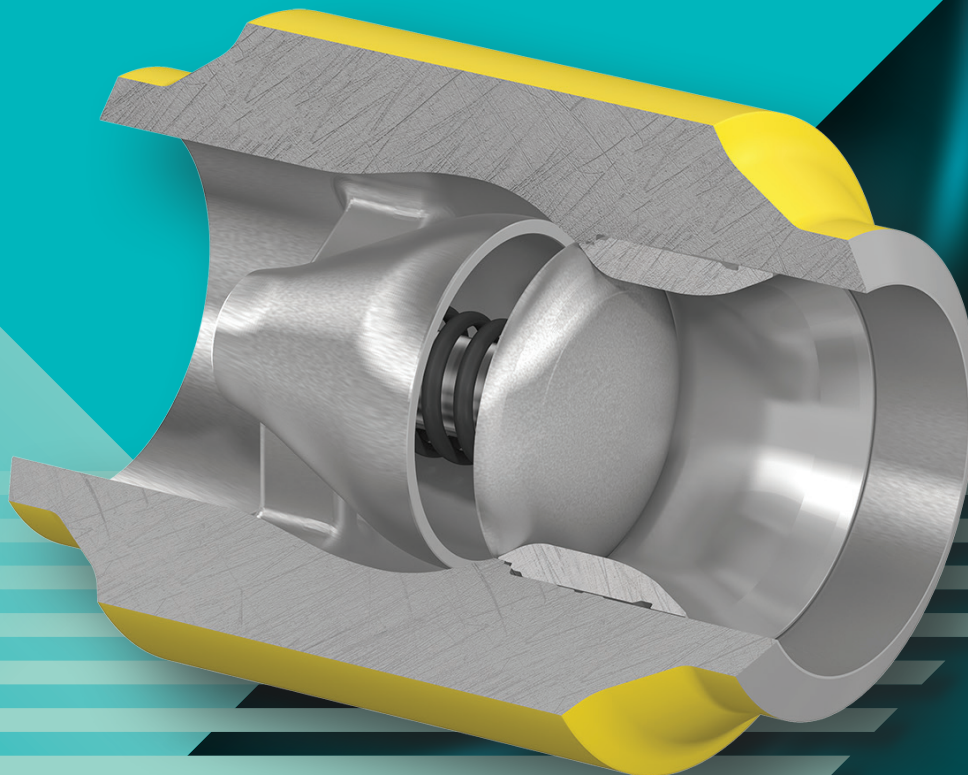
- Sizes 2" - 24"
- Rating ASME 150 - 2500 or API 3000 - 15 000
- Details about sizes and pressure ratings upon request
- Water depth 5000 m.

In preference to

- Swing check valve (including controlled closure devices)
- Dual-plate check valve
- Piston check valve

Typical applications

- Critical compressor / pump protection
- Segmentation of interconnected injection / production lines
- Severe duty



Mokveld subsea axial control valves main features:

Axial flow

Streamlined flow path through full-port expanded body avoids turbulence and prevents erosion and vibration. Process downtime and maintenance costs are eliminated.

Low pressure drop

The full opening flow passage and high-pressure recovery of the venturi-shaped body result in very low pressure loss: reduced operating costs of pumps and compressors.

Easy opening

The low static pressure in the throat area is applied behind the disc and creates a pressure differential over the disc, resulting in easy opening.

Stability

Extremely stable during operation. The axial check valve responds smoothly to changes in flow and remains stable when it is supposed to be.

Non-slam operation

The spring-assisted design ensures ultra-fast closing without backflow and pressure surges, in critical applications such as multi-pump systems.

Tight shut-off

Tight shut-off is obtained by means of metal-to-metal sealing. This sealing is not affected by erosive flow.

Maintenance free

Internal construction is based on the application of sound basic mechanical engineering principles. Consequently, the axial check valve does not require any maintenance.

Special features

- Custom-designed valve to meet the clients specific process conditions.
- Welding ends, hubs or flanges are possible, dependent on valve size, material, design pressure and temperature.
- Optional: API 6A PSL3(G) and/or PR2 qualification. Several valve sizes / ratings / temperature ranges are PR2 qualified already.

For more information, please contact Mokveld.

